



HTTC 86110

TTTC 86110

110 U.S. ton | 100 metric ton Hydraulic Truck Crane
110 U.S. ton | 100 metric ton Truck Terrain Crane



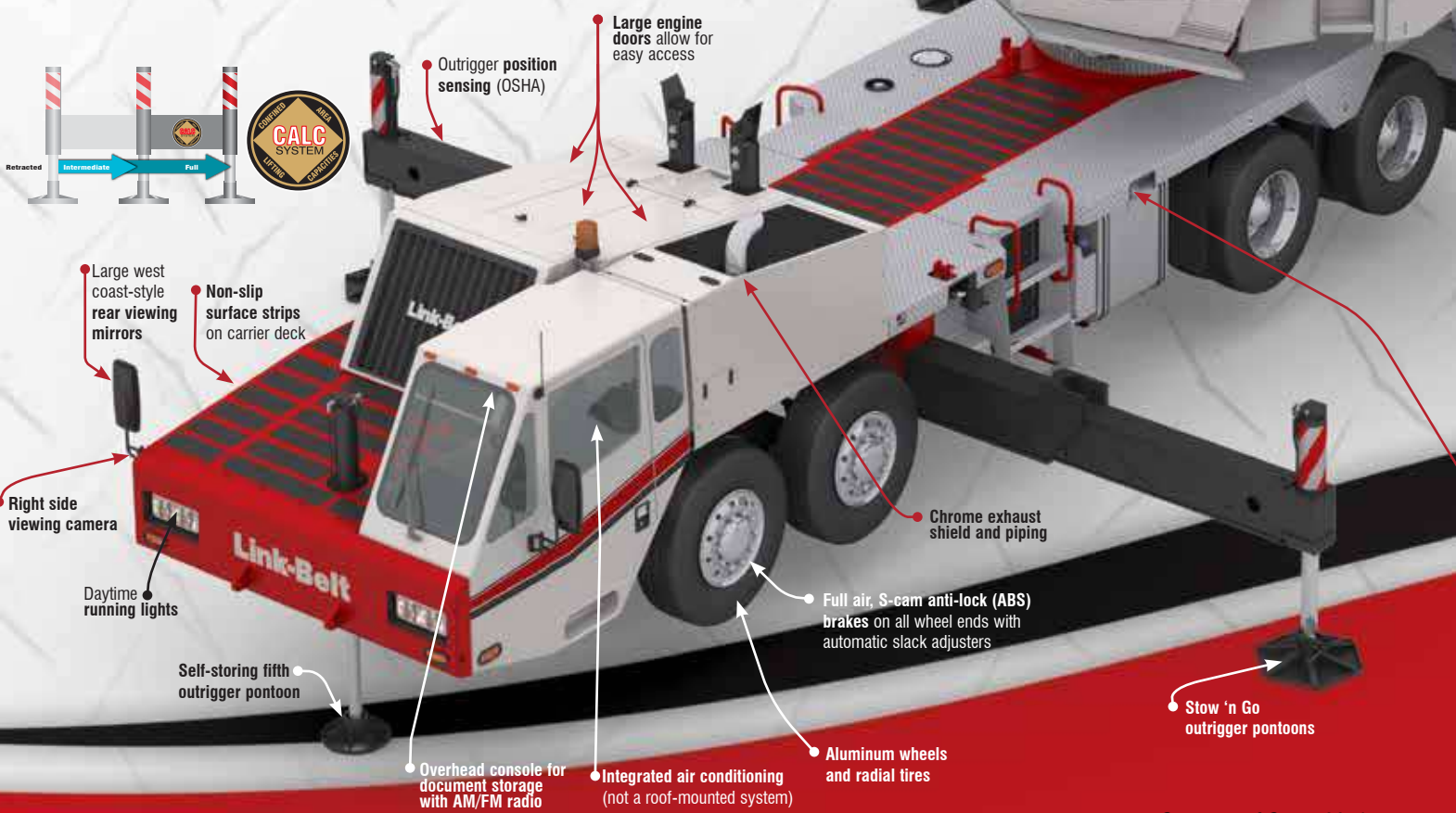
HTTC 86110

86110

110 U.S. ton | 100 metric ton Hydraulic Truck Crane
 110 U.S. ton | 100 metric ton Truck Terrain Crane

Outstanding mobility on the road and on the job site

- **38.3-164.1 ft | 11.7 - 50.0 m 6-section pin & latch boom with attachment flexibility**
 - 10-38-58 ft | 3.0-10.7-17.7 m three-piece, bi-fold, on-board lattice attachment with 0°, 15°, 30°, 45° offsets - optional
 - Two 16 ft | 4.9 m lattice inserts provide a total attachment length of 90 ft | 27.4 m - optional
 - 262 ft | 79.7 m maximum tip height
- **Big, wide cab with outstanding visibility**
- **Winches deliver impressive numbers of line pull and line speed**
 - 20,739 lbs | 92.25 kN maximum winch line pull
 - 495 fpm | 150.9 m/min maximum winch line speed
- **Counterweight flexibility, big engine and transmission power, along with air-ride promise incredible mobility on the road or on the job**



Integrated air conditioning

Folding viewing mirror for travel

Operator's cab with AM/FM radio and BlueTooth™

Swing camera

Large engine doors allow for easy access

Outrigger position sensing (OSHA)



Large west coast-style rear viewing mirrors

Non-slip surface strips on carrier deck

Right side viewing camera

Daytime running lights

Self-storing fifth outrigger pontoon

Chrome exhaust shield and piping

Full air, S-cam anti-lock (ABS) brakes on all wheel ends with automatic slack adjusters

Stow 'n Go outrigger pontoons

Overhead console for document storage with AM/FM radio

Integrated air conditioning (not a roof-mounted system)

Aluminum wheels and radial tires



Powerful and responsive hydraulics

- Two-speed hydraulic piston motor system delivers superior hoisting. Matched size optional front and rear winches provide equal max line pulls of 20,739 lbs (92.25 kn) and max line speeds of 495 fpm (150.9 m/min) on 16" (40.6 cm) root diameter grooved drums.
- Drum rotation indicators - standard.

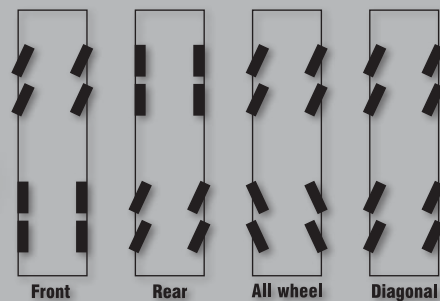
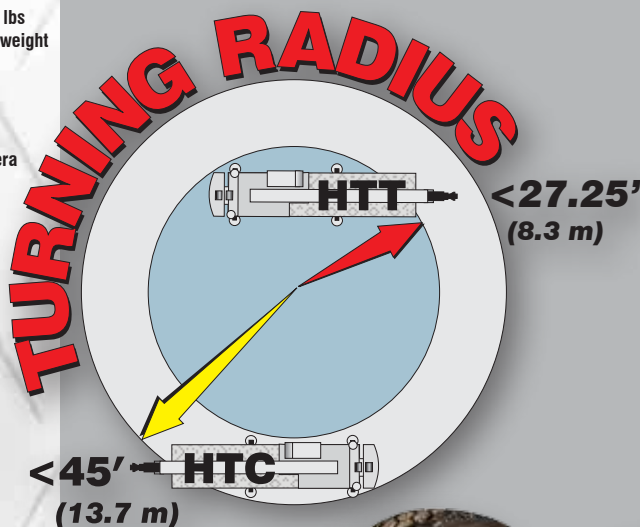


HTT

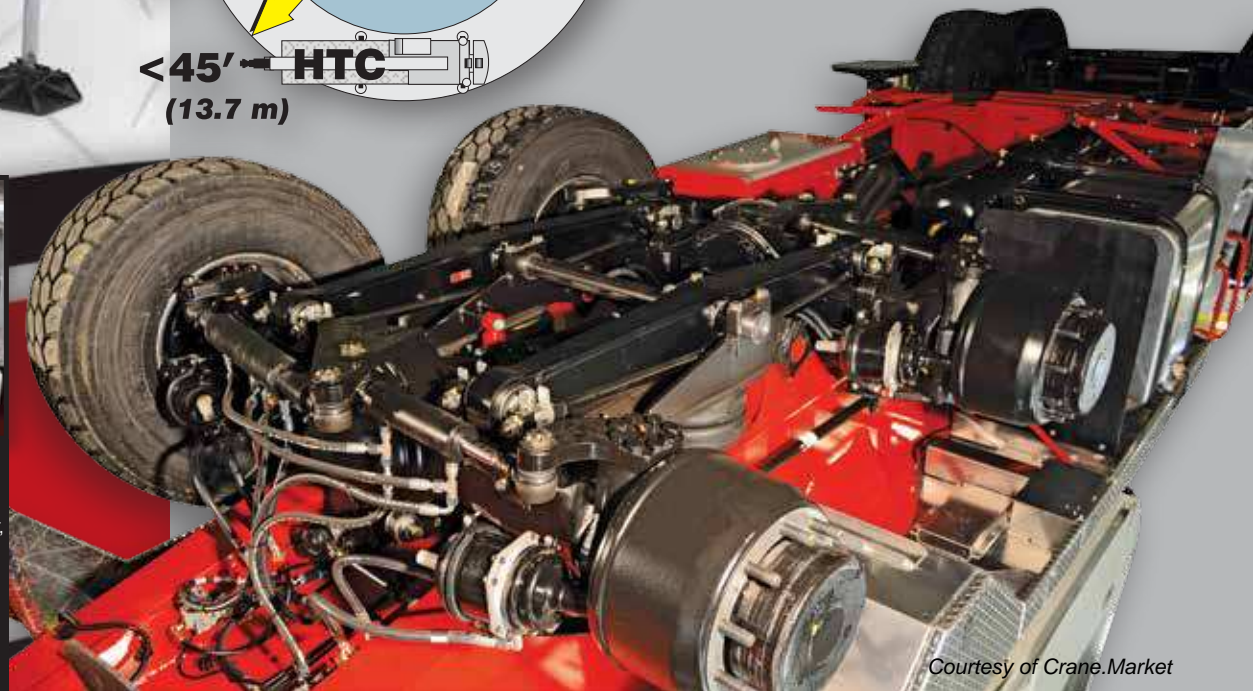
Designed for amazing job-site maneuverability

Steerable all wheel axles, in conjunction with super single tires, makes the HTT even harder to beat on the job-site, and NO changes to the on-outrigger capacity charts.

- Drive and steer capabilities for the rear axles
- Rear axles self-center and lock in the straight ahead position for high speed travel
- Only one spare rim and tire combination is needed
- Transverse (cross-axle) differential locks that greatly improve traction on unimproved job-site conditions.



Carrier-mounted outrigger controls, located on each side of the carrier, include an engine throttle-up switch for fast outrigger deployment. For fine level adjusting of the carrier, throttle can be taken down to idle.



Link-Belt PULSE

Total crane operating system

Link-Belt Pulse is the Link-Belt designed total crane operating system. It includes the rated capacity limiter, boom extend mode controller (EMC), self-diagnostic capabilities and continuous monitoring of multiple crane functions and conditions. To aid operators in a safe and efficient operation, its high-resolution, color-intense graphic display provides excellent contrast even in direct sunlight.



Single axis controller



Dual axis controller

Operator's cab provides ergonomic comfort and control

Roomier and quieter operator's cab

- Extra large windows throughout for excellent visibility
- Excellent ventilation via a large sliding door, side and rear windows, and hinged roof window
- Single or dual axis, electronic operated controller mounted on armrest for outstanding operator comfort
- 6-way adjustable power tilting seat
- All gauges, switches, indicators, and controls are located in the operator's forward line of sight
- All gauges and switches are backlit for excellent visibility in low light conditions
- Winch and right side swing view cameras
- In cab comfort is maintained by the standard heater and air conditioning



Rated capacity limited light bar



Standard - internal



Optional - external

Telematics. You own the data!

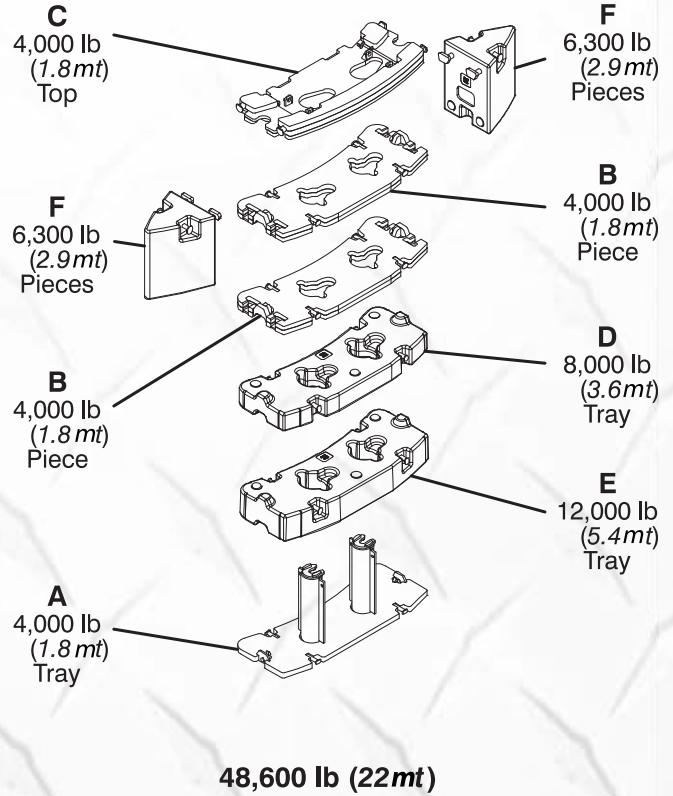
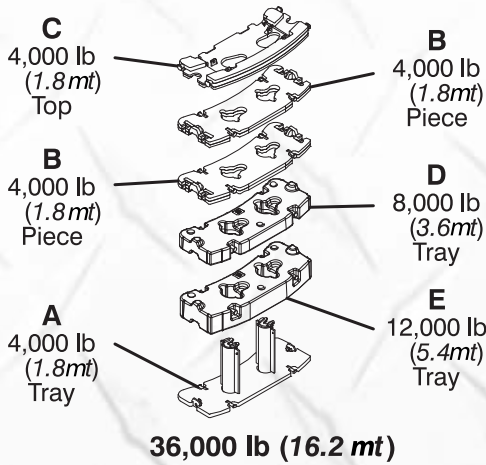
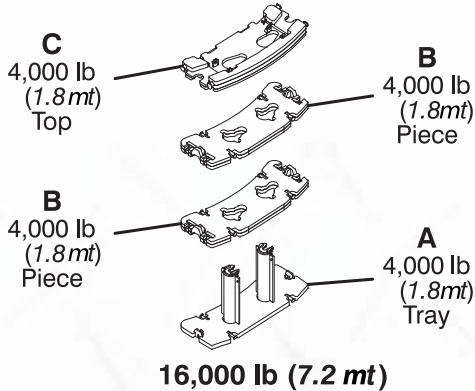
Cellular-based data logging and monitoring system that provides:

- Viewing options for sharing data with distributor and Link-Belt
- Location and operational settings
- Monitor routine maintenance intervals
- Crane and engine monitoring
- Diagnostic and fault codes



Multiple counterweight configurations give you capacities for any size job

- **Standard** - total of 16,000 lbs | 7.2 mt (A,B,B,C) of removable counterweights. Capacities for **five** different counterweight configurations.
- **Optional** - up to 48,600 lbs | 22 mt (A,B,B,C,D,E,F,F) of removable counterweights. Capacities for up to eleven different counterweight configurations.
- All configurations can be raised and lowered by hydraulic cylinders from the comfort of the operator's cab for ease of installation and removal.



Standard—16,000 lb | 7.2 mt



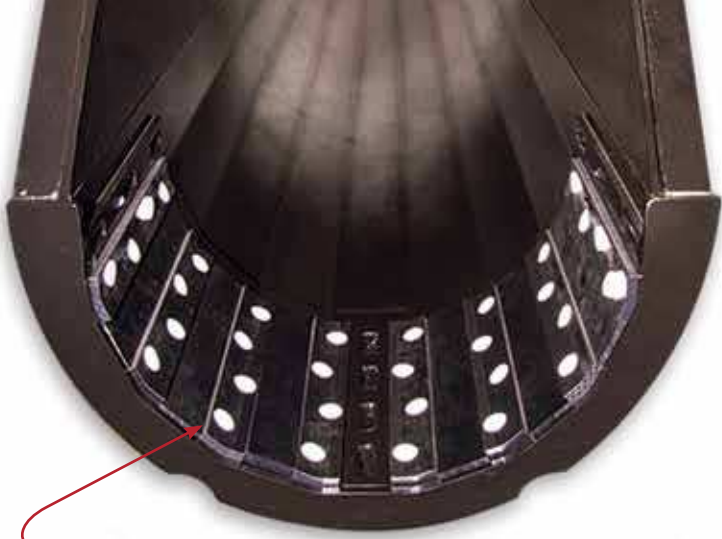
Optional—48,600 lb | 22 mt

All counterweight configurations can be raised and lowered by hydraulic cylinders from the comfort of the operator's cab for ease of installation and removal.



Counterweight Configurations

0		24,000 lb 10.8 mt	A,B,B,C,D
4,000 lb 1.8 mt	A	28,000 lb 12.7 mt	A,B,B,C,E
8,000 lb 3.6 mt	A,B	32,000 lb 14.4 mt	A,B,C,D,E
12,000 lb 5.4 mt	A,B,C	36,000 lb 16.2 mt	A,B,B,C,D,E
16,000 lb 7.2 mt	A,B,B,C	48,600 lb 22 mt	A,B,B,C,D,E,F,F
20,000 lb 9 mt	A,B,C,D		



Greaseless boom pads



Rope keeper maintains travel of rope through sheave

Quick reeve boom head eliminates the need to remove the becket when it becomes necessary to change the reeving

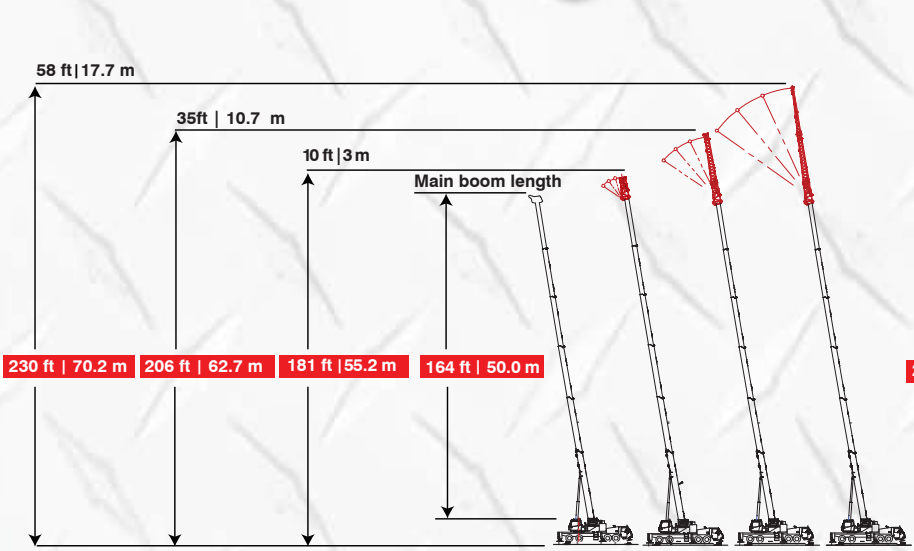


2 load lines charted in all 6 boom modes!

- Innovative 10 ft (3.0m) fly is integral to one of the on-board fly options.
- Over 24 tons (21.7 mt) capacity and one-load two-line lift procedures.
- Manual offsets: 0°, 15°, 30°, 45°
- Full load telescoping capacity

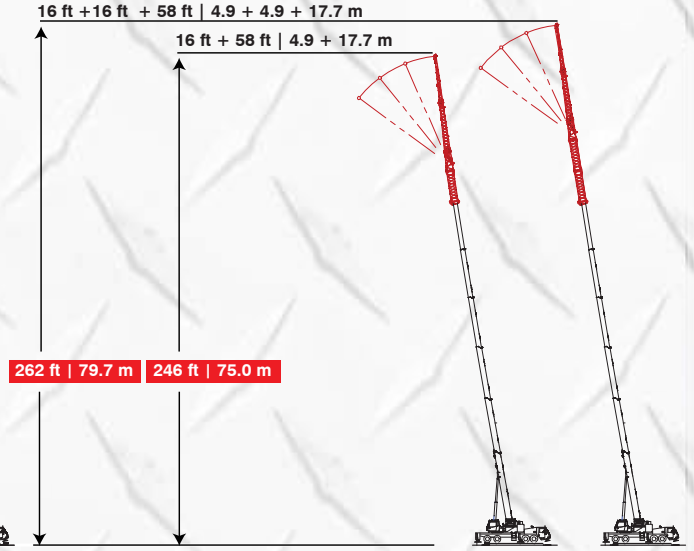


New efficient fly pinning design focuses on ease of assembly/disassembly



Tip-Heights - Optional On-board Lattice Fly

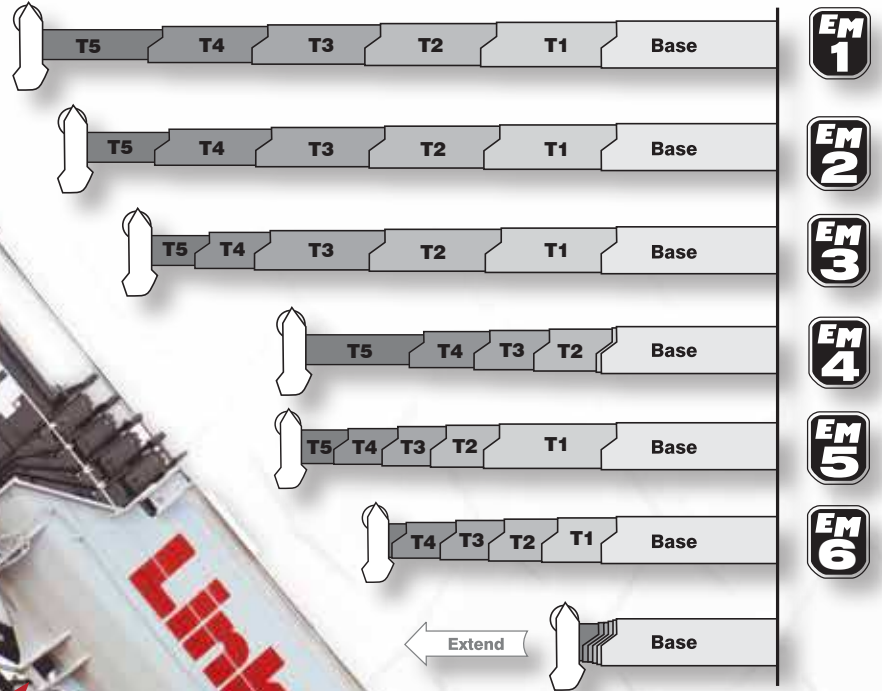
10 ft - 35 - 58 ft | 3.0 - 10.7 - 17.7 m three piece, bi-fold, on-board lattice attachment with 0°, 15°, 30°, and 45° manual offsets.



Tip-Heights - Optional Lattice Fly Extension

The optional 58 ft | 17.7 m two or three-piece offsettable bi-fold fly can be extended by adding up to two optional 16 ft | 4.9 m lattice inserts with 0°, 15°, 30°, and 45° manual offsets.

Superior capacities and extension ranges



**Only 6
Extend
Modes!**

**The only greaseless,
high-capacity formed booms
designed and built in North America!**

Standard boom dolly connections

Mechanical boom angle indicator - standard



Optional: 10-35-58 ft (3.0-10.7-17.7 m) three-piece bi-fold, lattice attachment with 0°, 15°, 30°, and 45° offsets

Superior accessibility



The **pull-out CabWalk™** slides out from its secured travel position underneath the operator's cab to give the operator a platform to stand on for easy entry and exit from the cab.



The upper work platform with **folding handrails** allows for easy inspection and **maintenance** of the HTC-86110.

Access to the operator's cab and engine compartment is superb with **strategically located ladders and steps**.



See what you've been missing – onboard cameras!



Operator cab monitor



Carrier cab monitor



Swing viewing camera



Right side viewing camera



Winch viewing camera



Rear viewing camera



Optional - boom dolly camera*

*Supplied by Dolly manufacturer

OPERATOR CAB CAMERAS

CARRIER CAB CAMERAS

Road and job site ready!



- **Automated transmission** (no clutch pedal) –12 speeds forward, 2 speeds reverse with two modes of operation: **fully automatic and semi-automatic**
- Job site travel is **permissible with counterweight** for exceptional job site versatility.
- **Boom dolly/trailer ready** when equipped with optional boom float kit, rear electrical and air connections.
- **Cruise control**
- Engine **compression brake**
- Ether injection system—**optional**



Optional rear electrical and air connections



- **Air-ride suspension** front and rear provides a smooth ride and precise handling. Optional air-ride **lift system** holds the rear suspension retracted while the crane is on outriggers.



Comfortable carrier cab:

- Dash-mounted **comprehensive instrumentation** with back-lit gauge
- Roll up/down door window provides **excellent ventilation**
- Fully adjustable **air-ride fabric seat**
- **Suspended pedals**

Storage and accessibility

- There are **four standard locking storage boxes**

Right side storage and ladder



Left and right side wheel storage



Right side fender storage



Work light package available

Lighting packages and flood lights available



Single boom flood light



Dual boom floodlight & high intensity remote controlled floodlight



Single boom flood light (detail)



Cab mounted work lights

Illuminated compartments and controls for night-time operation

Illuminated upper electrical panel



Illuminated right front fender storage





Link-Belt Construction Equipment Company is a leader in the design, manufacture and sales of telescopic and lattice boom cranes with headquarters and manufacturing facilities in Lexington, Kentucky, USA. Link-Belt is committed to the manufacture and service of high quality products that satisfy customers worldwide

Towards that end, Link-Belt has pursued a strategy of growth and investment. It has moved aggressively to seize more global market share by producing a broader range of products and strengthening distribution and personnel around the globe.

Link-Belt is also home to a family of passionate professionals with a legacy of innovation and cutting-edge technology spanning over 140 years. These professionals, in a 770,800 sq. ft. (71 609 m2) manufacturing facility and with a culture of continuous innovation, have pushed Link-Belt to be the most modern crane manufacturer in North America.

Your crane investment is always protected... with your Link-Belt distributor.

When you invest in a Link-Belt crane, you invest in a legacy of outstanding customer support dating back to 1874. The ultimate value of a machine begins with state-of-the-art design and quality manufacturing, but it is the excellent Link-Belt distributor product support that determines its long term value. This philosophy has earned Link-Belt cranes the enviable position of traditionally commanding some of the highest resale prices in the industry.

"... to be recognized as a **leader** in **customer service & satisfaction.**"
—The Link-Belt Vision

Link-Belt Preferred

As a member of Link-Belt Cranes user's group, you will have access to:

- A comprehensive online library of parts, service & operator manuals for YOUR crane
- Interactive, live groundbearing calculations for YOUR crane
- Online access to recommended spare parts lists, filter, lube and key lists plus maintenance information and more
- No annual fee or charges to access your crane information
- Factory-trained distributor support
- Experienced factory technicians
- 24/7 parts distribution with 95% availability
- Factory parts customer service reps
- Link-Belt certified structural repair
- Boom inspection
- 3D lift planning
- Plus a vast array of information on new products, services and special offerings

Online 3D LIFT PLANNING

- Web-based, active 3D, high graphic
- User-friendly, no CAD program required
- Always current, no updates required
- Print actual lift



Online GROUND BEARING PRESSURES

- Dynamic specific machine model position loadings
- Graphically illustrated in 360° numerical presentation
- Print out



Link-Belt was born because our founding father understood the importance of replacement parts.

William Dana Ewert

Building on that principal...

- Trained technical specialists
- Faster and more efficient customer service
- State of the art computer information systems
- 24 hours a day, 7 days a week
- 72,000 Sq. Ft. Parts Distribution Center
- All parts in stock ship the same business day

Link-Belt CRANES GENUINE PARTS



©Link-Belt is a registered trademark. Copyright 2016 All rights reserved. We reserve the right to change designs and specifications at any time. Litho in U.S.A. 2/16 1630 #4487

Link-Belt CRANES
Lexington, Kentucky | www.linkbelt.com

Courtesy of Crane.Market