



Link-Belt
C R A N E S

TEC 1200

**120 U.S. ton | 110 metric ton
Telescopic Crawler Crane**

- 150' (45.7 m) main boom
- 159' (48.6m) main boom tip height
- Five section full power boom
- Remarkable control, reliability & capacity performance
- Unbeatable hydraulic pilot-operated control
- 20° tilting cab
- Quick mobilization - transports in four loads
- Rear view and winch cameras



Standard with:

- Upper guardrail
- Rear view camera
- Winch camera
- Travel and swing alarm
- Cat walks
- RCL capacities on jacks
- Assembly/disassembly



Standard 360° remote high intensity boom light

TCG 1200

120 U.S. ton | 110 metric ton
Telescopic Crawler Crane

Built for remarkable control, reliability and capacity performance on any terrain

- 320 hp (239 kW) Cummins QSL Tier 4 Final engine
- Variable displacement piston type main pumps with total horsepower control
- Main hoists powered through piston motors and winch planetary drums grooved for 7/8" (22mm) wire rope
- 21,120 lb (9 579 kg) of line pull
- 537 fpm (163.7 m/min) of line speed
- Three working gauges
- Multiple counterweight configurations



Standard 360° remote high intensity flood light

Roof wiper with opening top hatch

20° tilting cab

Hydraulic track tension

Optional front and rear tool boxes

Fast and easy deploy swing out carbody jacks

Greaseless boom

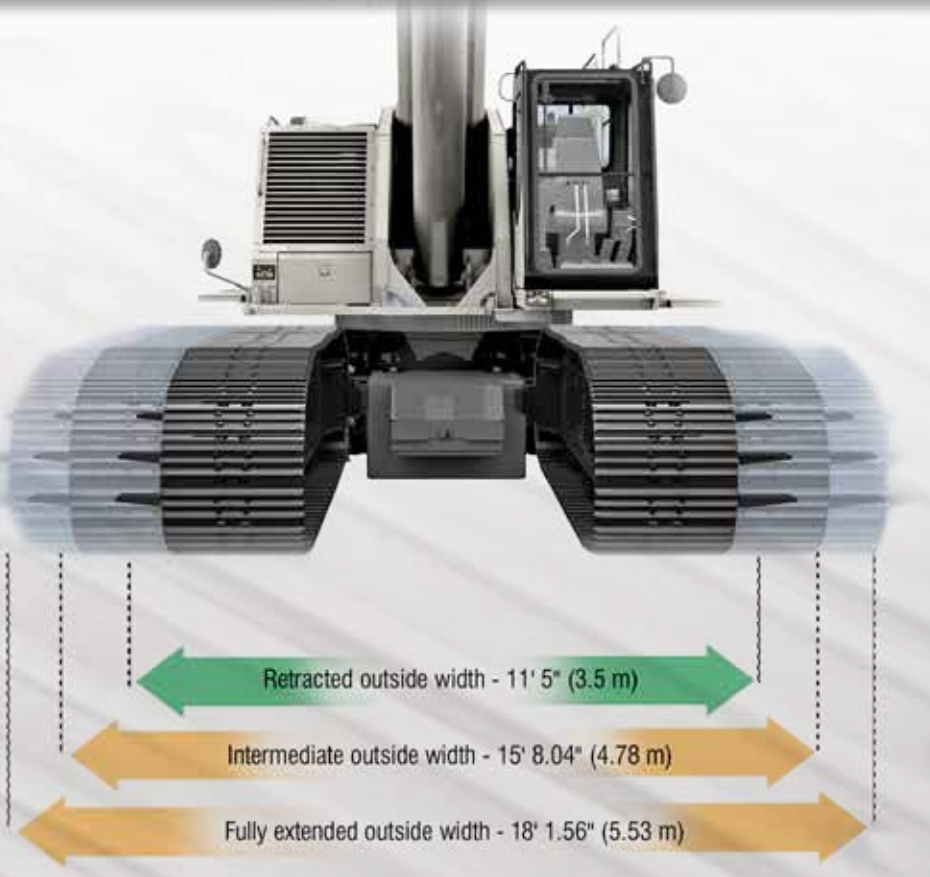
Standard hoist drum cable follower and optional third wrap indicator

Telematics





Excellent access for all routine engine and hydraulic maintenance



Non-slip safety strips, extended length catwalks, sideframe steps and upper guard rails provide sure-footed access to the crane upper.



Greaseless, high-capacity formed booms designed and built in by Link-Belt!



2 load line lifts charted in all 3 boom modes!

Innovative 10 ft (3.0m) fly is integral to one of the on-board fly options. Over 25 tons (22.6 mt) capacity and one-load two-line lift procedures.



Full power boom with attachment flexibility

- Ingenious Teflon wear pucks impregnated in the full contact wear pads remove the need for greasing the boom.
- Manual offset fly: 0°, 15°, 30°, 45°
- No deducts for stowed attachments

A-max modes

The exclusive A-max modes offer substantially increased capacities for in-close, maximum capacity picks and provide the operator the capability to match the crane's configuration to specific job site conditions.

- **A-max¹**: 40'- 95' (29m): Inner and center sections are extended, offering maximum strength
- **A-max²**: 40'- 122' 5" (37.34 m): Tip, outer and center sections are extended yielding maximum stability.
- **Standard boom extension** self-proportions all four sections equally.

Only 3 Extend Modes!



STANDARD

A-MAX

Link-Belt PULSE

Total crane operating system

Link-Belt Pulse is the Link-Belt designed total crane operating system. It includes the rated capacity limiter, boom extend mode controller (EMC), self-diagnostic capabilities and continuous monitoring of multiple crane functions and conditions. To aid operators in a safe and efficient operation, its high-resolution, color-intense graphic display provides excellent contrast even in direct sunlight.



The working screen clearly displays load on hook, maximum allowable capacity, boom length, boom angle, slew angle, wind speed, and machine configuration.

Heavy-duty power for the most demanding jobs

- Low noise, Tier 4 Final Cummins, four stroke diesel with an abundance of horsepower to provide multi-function operation and fast 2.0 mph travel speed. All engine systems are monitored via the on board engine control monitor.
- On-demand, direct drive, high pressure variable displacement piston pumps power the boom hoist function as well as matching front and rear high pressure piston winch motors connected through planetary drives to large diameter grooved drum laggings.
- A dedicated hydraulic swing pump feeds two independent swing drive assemblies with open center free swing, providing a smooth glide feel. Both dynamic and static swing brakes are also offered as standard equipment.
- Travel propel is achieved through individual side frame-mounted, two-speed, high pressure piston motors / travel reduction boxes with integral travel brake.
- Oil is cooled by a remote mounted, hydraulic powered, high capacity cooler.



On-board ground bearing

On-Board Ground Bearing allows the operator to monitor in real time the loadings exerted on the supporting surface. Simulation Mode allows an operator to forecast the expected loadings by inputting the load prior to making a pick.

Operator aid features

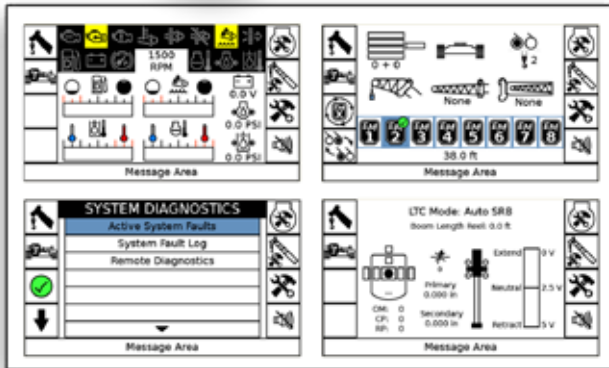
Operator settable alarms with function kick-out include left and right slew angle, maximum & minimum boom angle, head height, load radius, boom length, and operator defined area.



Wireless Remote Control—optional

Multiple display options available including:

- Fine metering controls
- Engine data
- Crane configuration
- Boom diagnostics
- System diagnostics and more



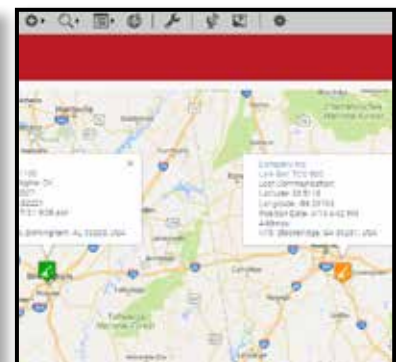
Highly functional and comfortable cab

- Cab tilt to 20°
- High capacity air-conditioning
- High capacity hot water heating
- Six-way adjustable seat
- LED service monitor screen provides engine performance and critical data using conventional gauge appearance. Second level provides actual digital values, as well as diagnostic information.
- Adjustable armrest console with pilot-operated single-axis or joystick controls
- Hydraulic pilot controls for variable hoist, swing and travel performance
- Variable hydraulic output from main pumps controlled by variable hand throttle for infinite control
- Fingertip high speed hoist button for front and rear drum
- Rear view and winch view cameras

Telematics. You own the data!

Cellular-based data logging and monitoring system that provides:

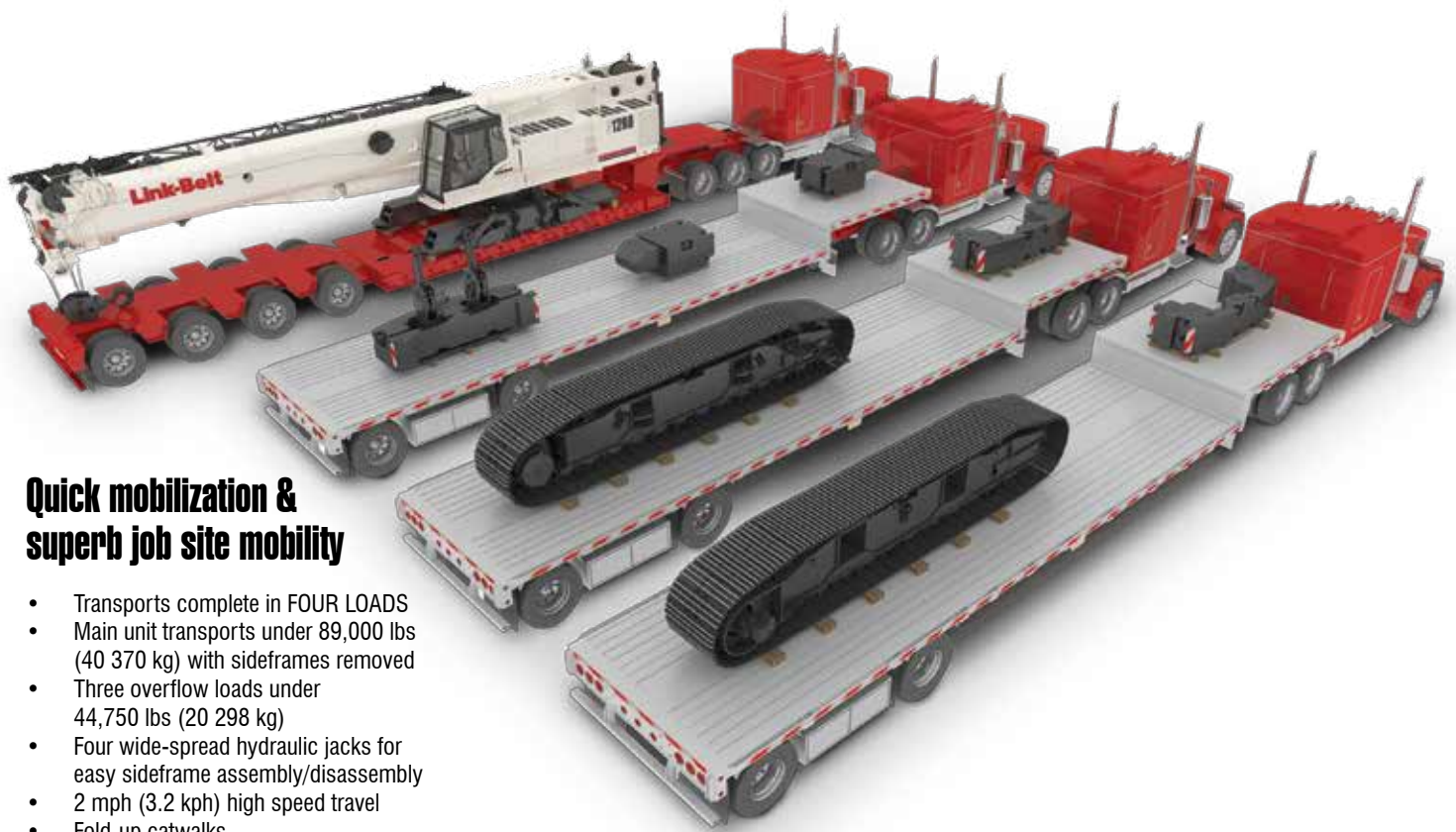
- Viewing options for sharing data with distributor and Link-Belt
- Location and operational settings
- Monitor routine maintenance intervals
- Crane and engine monitoring
- Diagnostic and fault codes



Link-Belt vision package

- The Link-Belt Vision Package offers the most comprehensive job site visibility on the market and includes a rear view camera and winch view camera and a 7" full color display.
- Camera features include low light enhancement via infrared, auto focus, automatic internal heater, and a one-way communications system.
- The full color 7" camera display features split screen and auto cycle capabilities.





Quick mobilization & superb job site mobility

- Transports complete in **FOUR LOADS**
- Main unit transports under 89,000 lbs (40 370 kg) with sideframes removed
- Three overflow loads under 44,750 lbs (20 298 kg)
- Four wide-spread hydraulic jacks for easy sideframe assembly/disassembly
- 2 mph (3.2 kph) high speed travel
- Fold-up catwalks



Fast, easy counterweight removal



JUST 4 TRUCKS GETS THE TCC-1200 TO YOUR JOB!	
Main transport load: Under 89,000 lbs (40 370 kg)	12' 8" overall transport height on 10" blocks 10' 6" overall width with sideframes removed
1st overflow: 44,000 lbs (19 958.4 kg)	"A" cwtw 19,000 lbs (8 618.4 kg) Two 12,500 lbs (5 670 kg) carbody counterweights
2nd & 3rd overflow: 44,750 lbs each (20 298 kg)	28,750 lbs (13 041 kg) sideframe 16,000 (7 257 kg) upper "B/C" cwtw



Complete self-load-out and assembly.
Link-Belt PULSE RCL monitors
capacities on jacks.



Link-Belt Construction Equipment Company is a leader in the design, manufacture and sales of telescopic and lattice boom cranes with headquarters and manufacturing facilities in Lexington, Kentucky, USA. Link-Belt is committed to the manufacture and service of high quality products that satisfy customers worldwide

Towards that end, Link-Belt has pursued a strategy of growth and investment. It has moved aggressively to seize more global market share by producing a broader range of products and strengthening distribution and personnel around the globe.

Link-Belt is also home to a family of passionate professionals with a legacy of innovation and cutting-edge technology spanning over 140 years. These professionals, in a 770,800 sq. ft. (71 609 m2) manufacturing facility and with a culture of continuous innovation, have pushed Link-Belt to be the most modern crane manufacturer in North America.

Your crane investment is always protected... with your Link-Belt distributor.

When you invest in a Link-Belt crane, you invest in a legacy of outstanding customer support dating back to 1874. The ultimate value of a machine begins with state-of-the-art design and quality manufacturing, but it is the excellent Link-Belt distributor product support that determines its long term value. This philosophy has earned Link-Belt cranes the enviable position of traditionally commanding some of the highest resale prices in the industry.

"... to be recognized as a **leader** in **customer service & satisfaction.**"
—The Link-Belt Vision

Link-Belt Preferred

As a member of Link-Belt Cranes user's group, you will have access to:

- A comprehensive online library of parts, service & operator manuals for YOUR crane
- Interactive, live groundbearing calculations for YOUR crane
- Online access to recommended spare parts lists, filter, lube and key lists plus maintenance information and more
- No annual fee or charges to access your crane information
- Factory-trained distributor support
- Experienced factory technicians
- 24/7 parts distribution with 95% availability
- Factory parts customer service reps
- Link-Belt certified structural repair
- Boom inspection
- 3D lift planning
- Plus a vast array of information on new products, services and special offerings

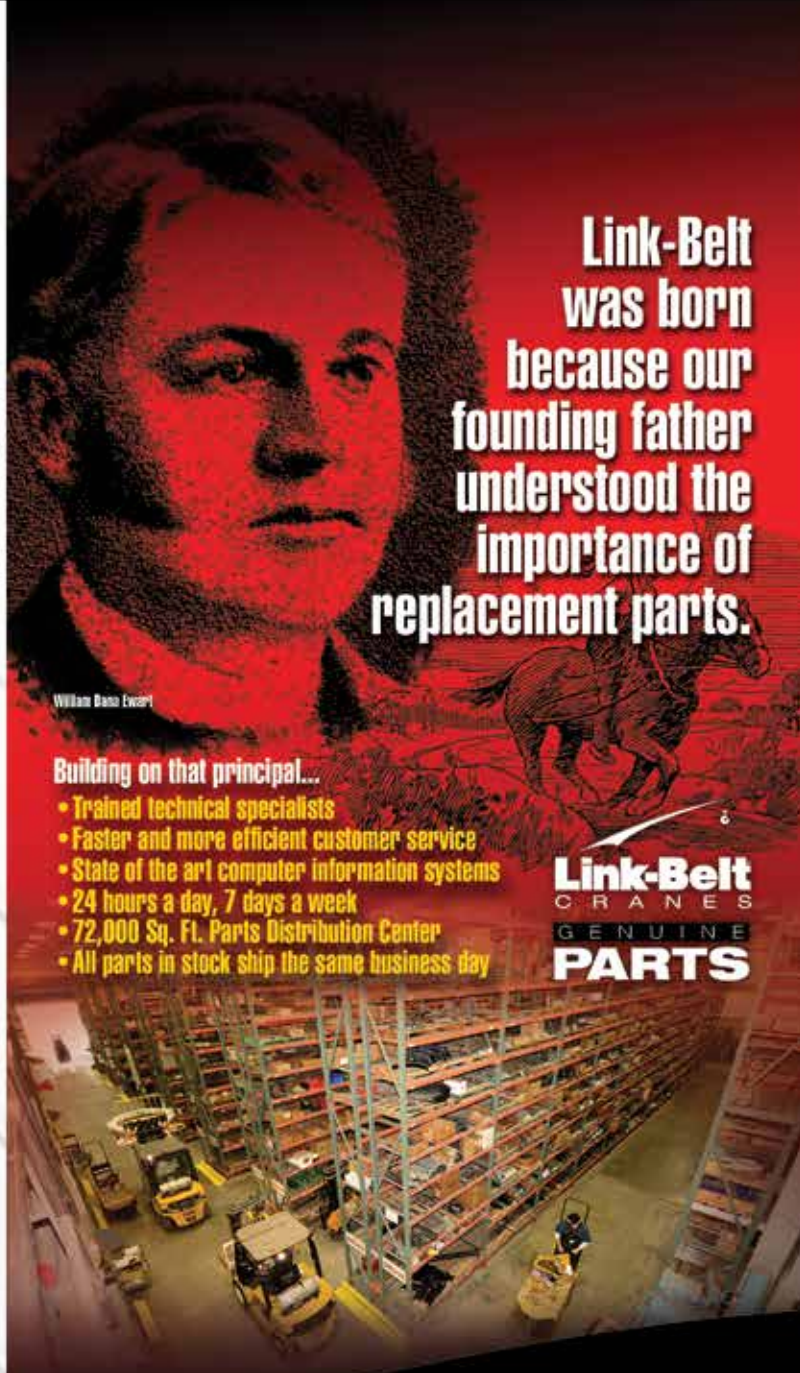
Online 3D LIFT PLANNING

- Web-based, active 3D, high graphic
- User-friendly, no CAD program required
- Always current, no updates required
- Print actual lift



Online GROUNDBEARING PRESSURES

- Dynamic specific machine model pontoon loadings
- Graphically illustrated in 360° numerical presentation
- Print out



Link-Belt was born because our founding father understood the importance of replacement parts.

William Bano Everett

Building on that principal...

- Trained technical specialists
- Faster and more efficient customer service
- State of the art computer information systems
- 24 hours a day, 7 days a week
- 72,000 Sq. Ft. Parts Distribution Center
- All parts in stock ship the same business day

Link-Belt CRANES GENUINE PARTS

©Link-Belt is a registered trademark. Copyright 2019 All rights reserved. We reserve the right to change designs and specifications at any time. Litho in U.S.A. 1/19 3062 #4552 (supersedes 4539)

Link-Belt CRANES
Lexington, Kentucky | www.linkbelt.com